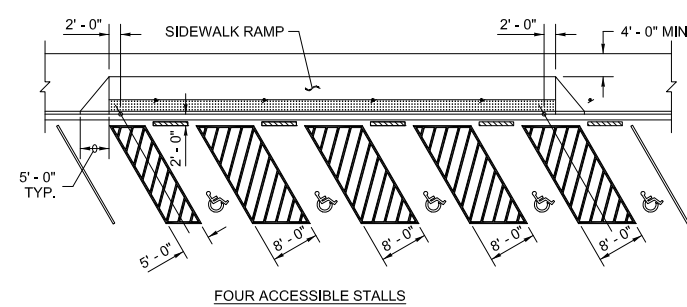
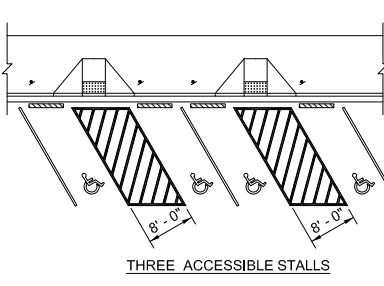
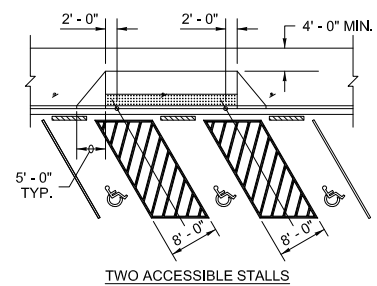
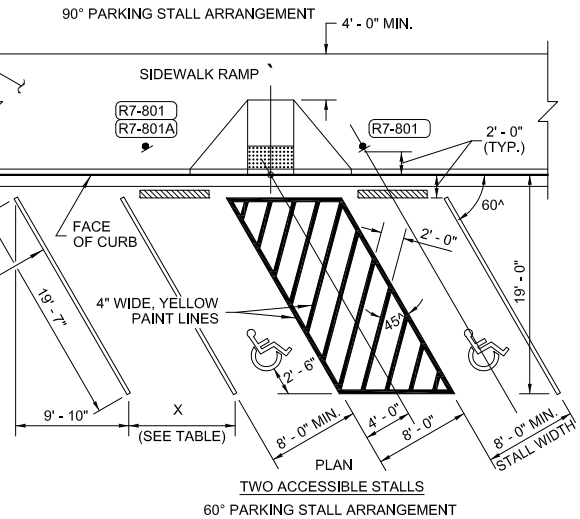


STALL WIDTH	X
8' - 0"	9' - 3"
9' - 0"	10' - 5"
10' - 0"	11' - 7"
11' - 0"	12' - 8"
12' - 0"	13' - 10"



1. An Access Parking Space Symbol is required for each accessible parking stall. A blue background and white border are required when the symbol is installed on a cement concrete surface.
2. All accessible stalls shall have wheel stops. Wheel stops shall be approximately 6" high and a minimum of 6' long.
3. Refer to the other plans for sidewalk ramp, detectable warning pattern, and curb details.

- Reserved Parking Sign and post with Plaque, if indicated (See Sign Fabrication Manual)
- Access Parking Space Symbol
- Manufactured wheel stop
- Detectable Warning Pattern

<h1>STANDARD DETAILS</h1>	
DRAWING TITLE.	
<h2>ACCESSIBLE PARKING LAYOUTS</h2>	
DATE:	SCALE:
AUGUST 2018	NONE
PLATE NO:	SPEC. SECT. _____
R-32	PAGE _____