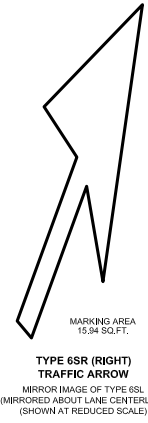
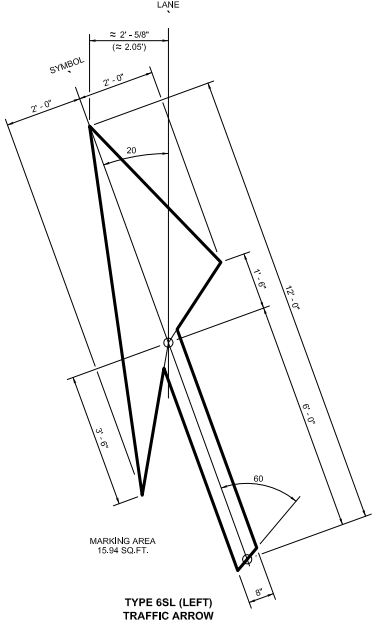
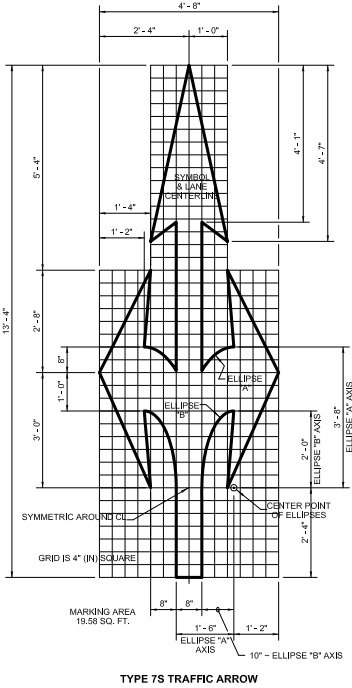


NOTE
Use the dimensions shown on this plan for each type of Traffic Arrow being placed on roadways with a posted speed limit of 40 mph or lower.



STANDARD DETAILS	
DRAWING TITLE.	
TURN ARROW DETAILS	
DATE: AUGUST 2018	SCALE: NONE
PLATE NO: R-28	SPEC. SECT. _____ PAGE _____