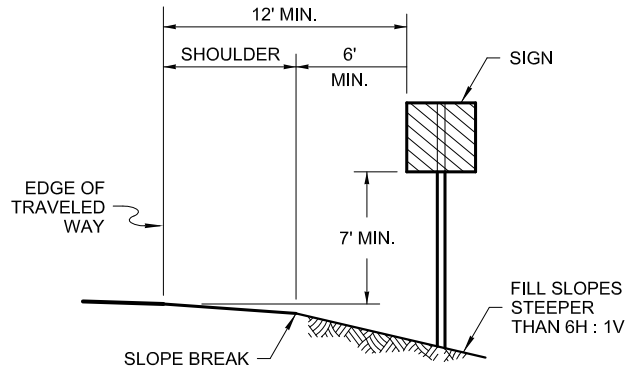
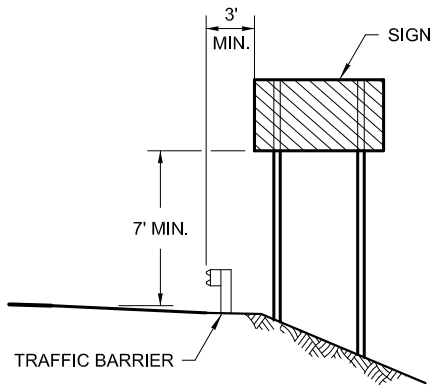


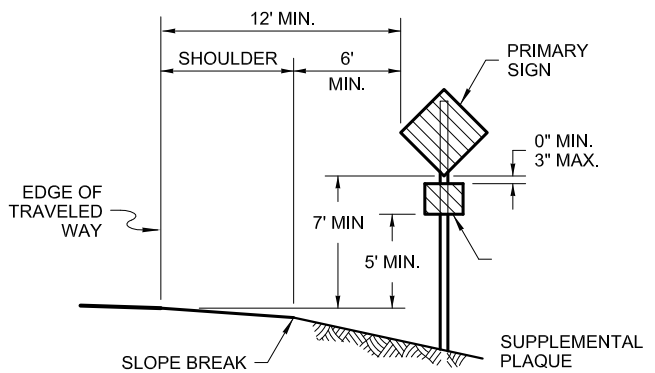
**SIGN INSTALLATION
IN FILL SECTION**



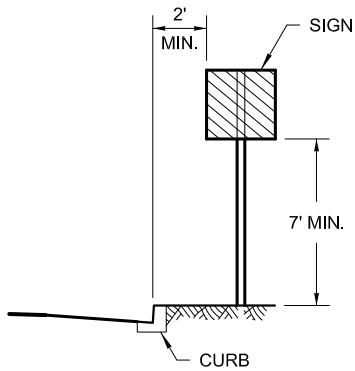
**SIGN INSTALLATION
ON STEEP FILL SLOPES**



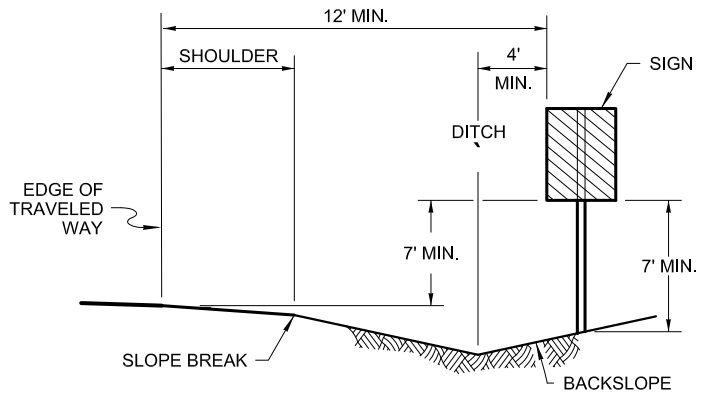
**SIGN INSTALLATION
BEHIND TRAFFIC BARRIER**



**SIGN WITH SUPPLEMENTAL
PLAQUE INSTALLATION
IN FILL SECTION**



**SIGN INSTALLATION
IN CURB SECTION**



**SIGN INSTALLATION
IN DITCH SECTION**

NOTES

1. The minimum vertical distance from the bottom of the sign to the ground shall not be less than 7' (ft) for signs located within the Design Clear Zone.

STANDARD DETAILS	
DRAWING TITLE.	
SIGN INSTALLATION DETAILS	
DATE: AUGUST 2018	SCALE: NONE
PLATE NO: R-22	SPEC. SECT. _____ PAGE _____