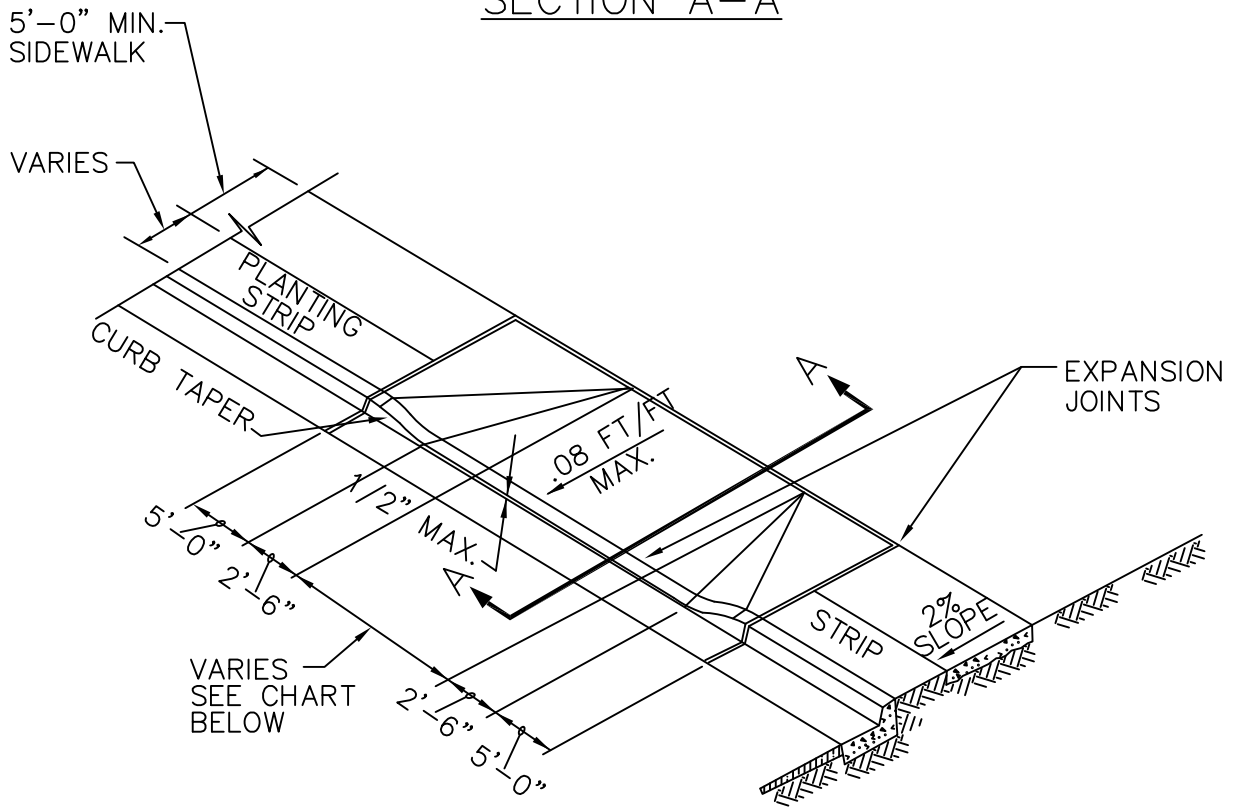


SECTION A-A



DRIVEWAY WIDTHS		
	MAX.(FT)	MIN.(FT)
COMM/INDUS.	35'	25'
RESIDENTIAL	20'	10'

NOTE:

1. ALL COMMERCIAL/INDUSTRIAL DRIVEWAY SHALL HAVE AN EXPANSION JOINT LOCATED MID-WIDTH.

STANDARD DETAILS	
DRAWING TITLE: PORTLAND CEMENT CONCRETE DRIVEWAY DETAIL	
DATE: AUGUST 2018	SCALE: NONE
PLATE NO: R-20	SPEC. SECT. _____ PAGE _____