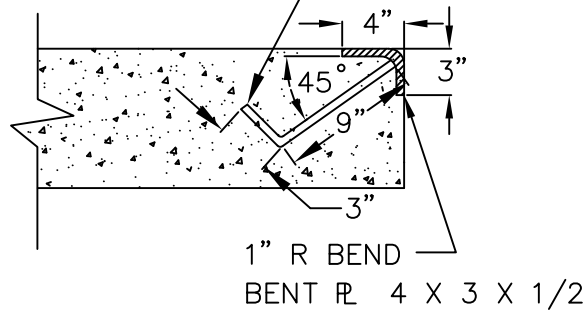
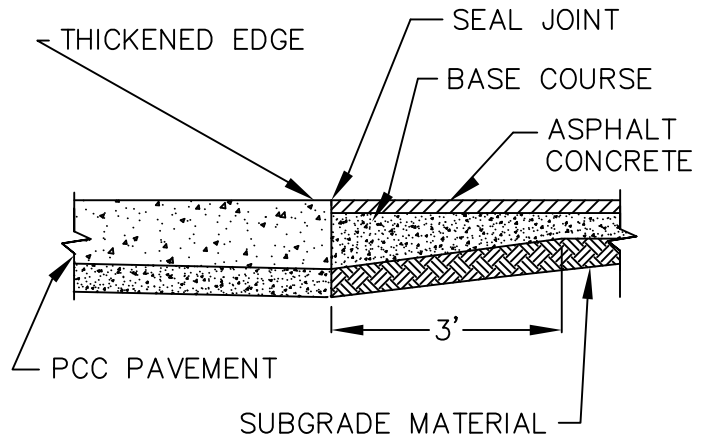
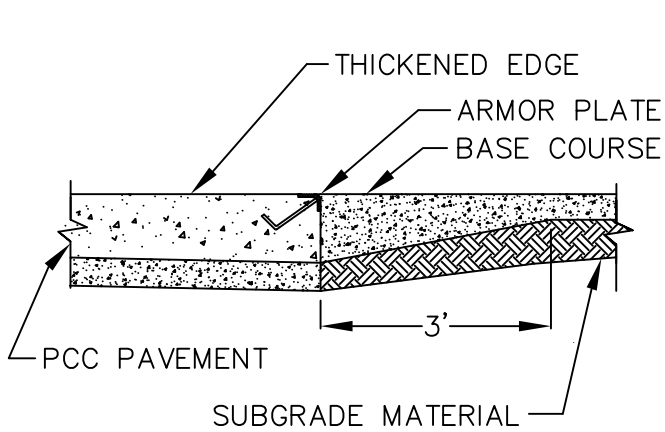


STD. 1/2" Ø ANCHOR  
BAR @ 2'-0" O.C.



ARMOR PLATE DETAIL



TRANSITION SECTIONS

STANDARD DETAILS	
DRAWING TITLE. ARMOR PLATE AND TRANSITION SECTION DETAILS	
DATE: AUGUST 2018	SCALE: NONE
PLATE NO: R-9	SPEC. SECT. <u>32</u> PAGE _____