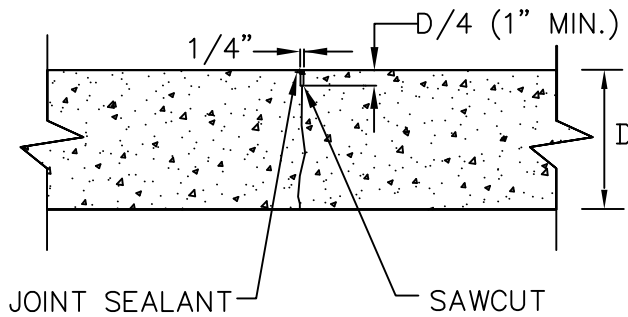
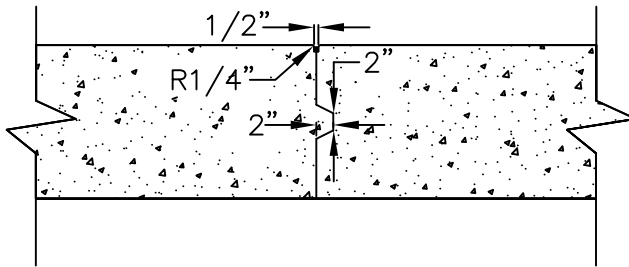


EXPANSION JOINT



CONTRACTION JOINT



CONSTRUCTION JOINT

NOTES:

1. DETAIL DOES NOT SHOW REINFORCING. ENGINEER TO PROVIDE DOWELS/TIE BARS AS REQUIRED FOR REINFORCED CONCRETE PAVEMENT

STANDARD DETAILS	
DRAWING TITLE.	
EXPANSION, CONTRACTION AND CONSTRUCTION JOINT DETAILS	
DATE:	SCALE:
AUGUST 2018	NONE
PLATE NO:	SPEC. SECT. <u>32</u>
R-7	PAGE _____