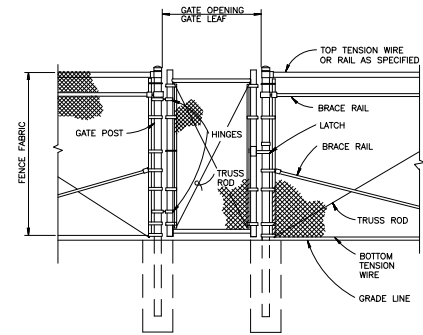
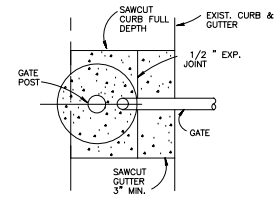


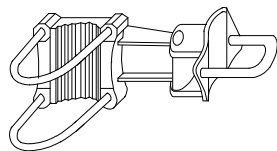
① ② ELEVATION
DOUBLE SWING GATE (TYPE FE-5 FENCE)
NO SCALE



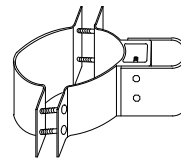
PERSONNEL GATE
TYPE FE-5 FENCE
NO SCALE



① PLAN



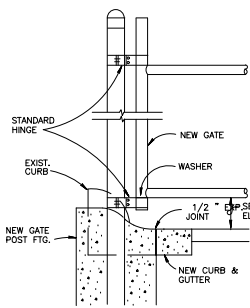
OFFSET HINGE



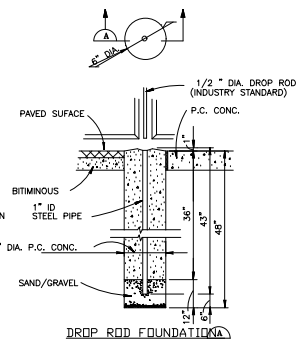
STANDARD HINGE

GATE POST SCHEDULE	
GATE LEAF WIDTH (NOMINAL)	OUTSIDE DIMENSION (NOMINAL)
6' OR LESS	2.875" OD 2.5" SQ
MORE THAN 6' TO 12'	4.0" OD
MORE THAN 12' TO 18'	6.625" OD
MORE THAN 18'	8.625" OD

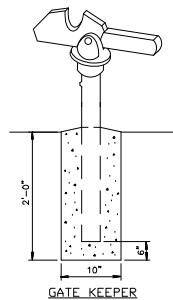
- ① ② NOTES:
- DETAILS SHOWN ARE TO CLARIFY REQUIREMENTS AND ARE NOT INTENDED TO LIMIT OTHER TYPE OF FENCE SECTIONS AND METHODS OF INSTALLATION THAT COMPLY WITH THE SPECIFICATIONS.
 - SWING GATES SHALL BE CONSTRUCTED WITH DROP RODS, PADLOCKS, LATCH ASSEMBLY AND GATE KEEPERS EXCEPT AS NOTED.
 - ALL GATE FRAMES SHALL MEET THE MINIMUM REQUIREMENTS OF ASTM F900 1.90" NOMINAL (ROUND) OR 2.00" NOMINAL (SQUARE). GATE FRAMES SHALL BE OF WELDED CONSTRUCTION OR SHALL BE ASSEMBLED USING HEAVY FITTINGS. AT CONTRACTOR'S OPTION A WELDED HORIZONTAL BRACE MAY BE USED IN LIEU OF TRUSS RODS TO BRACE ALL-WELDED GATE FRAMES. THE CONTRACTOR SHALL BE RESPONSIBLE FOR THE PROPER RIGID CONSTRUCTION OF ALL GATES SUPPLIED.
 - GATES SHALL BE DESIGNATED AS FOLLOWS:
 FENCE TYPE - FE5, FE6, ETC.
 FENCE HEIGHT - INCHES
 TYPE OPENING - SO (SINGLE)
 HINGE - DO (DOUBLE)
 OPENING - HD (OFFSET)
 FEET (CLEAR OPENING BETWEEN GATE POSTS)
 EXAMPLES: FE6-84-DO-RA-24
 FE5-48-SO-HD-6



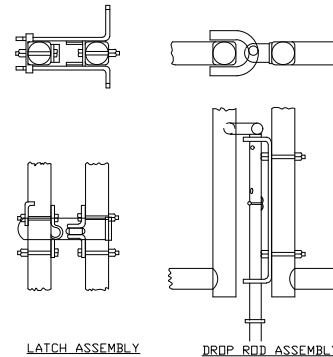
① GATE POST SECTION
AT CURB AND GUTTER
NO SCALE



DROP ROD FOUNDATION



GATE KEEPER
(TO HOLD GATE OPEN)



LATCH ASSEMBLY

DROP ROD ASSEMBLY

SWING GATE DETAILS
NO SCALE

Revisions			
Symbol	Descriptions	Date	Approved
②	REV #002 GENERAL REVISIONS	5/28/04	JWR
①	REV #001 GENERAL REVISIONS	8/17/04	JWR
U.S. ARMY ENGINEER DISTRICT CORPS OF ENGINEERS OMAHA, NEBRASKA			
Designed by:	X	BASE NAME	BASE LOCATION
Drawn by:	X	STANDARD DETAILS FOR CHAIN-LINK SECURITY FENCES; FARM STYLE FENCES AND A DOUBLE BARRIERS	
Checked by:	X	FE5 CHAIN-LINK SECURITY FENCE GATE DETAILS	
Reviewed by:	X	Plot Scale Ratio: 1:1	Date: 03/17/04
Submitted by:	X	Design File: FE5GATEADGN	Sheet Number: 08
Chief:	X	Contract No.:	Drawing Code: STD 872-90-08