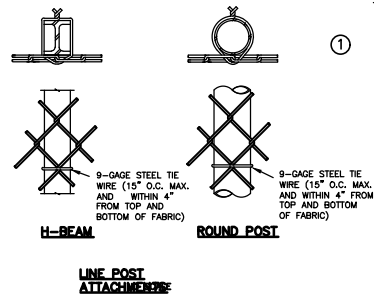
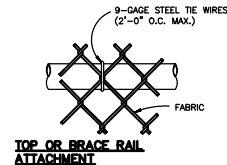
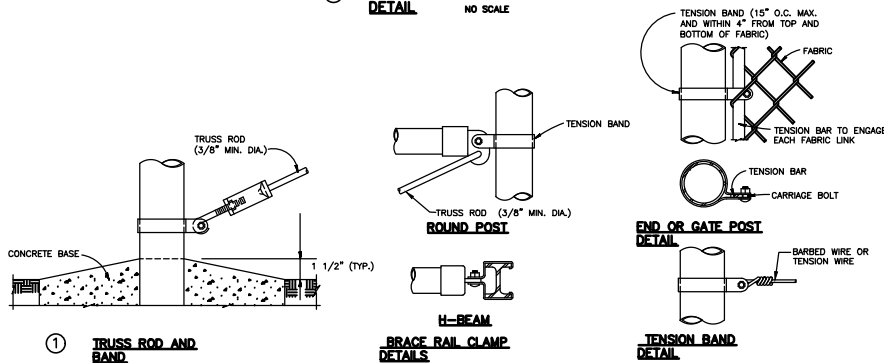


USE AND SECTION	STEEL POST SCHEDULE		
	MINIMUM OUTSIDE DIMENSIONS (NOMINAL)		
	FABRIC WIDTH 72" OR LESS	FABRIC WIDTH 84" TO 108"	FABRIC WIDTH 108" AND OVER
CORNER, END & PULL POSTS			
TUBULAR - ROUND	2.375" O.D.	2.875" O.D.	4.00" O.D.
TUBULAR - SQUARE	2.00" SQ.	2.50" SQ.	3.00" SQ.
C-SECTION (ROLL-FORMED)	3.50" X 3.50"	3.50" X 3.50"	---
LINE POSTS			
TUBULAR - ROUND	1.90" O.D.	2.375" O.D.	2.875" O.D.
H-SECTION	2.25" X 1.70"	2.25" X 1.70"	2.25" X 1.70"
C-SECTION (ROLL-FORMED)	1.875" X 1.625"	2.25" X 1.70"	---
TOP, BOTTOM & BRACE RAILS			
TUBULAR - ROUND		1.66" O.D.	
TUBULAR - SQUARE		1.50" SQ.	
H-SECTION		1.625" X 1.50"	
C-SECTION (ROLL-FORMED)		1.625" X 1.25"	

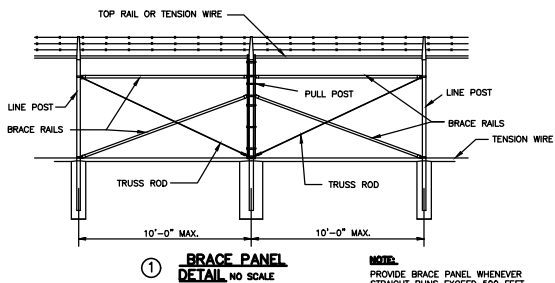
① **CHAIN-LINK SECURITY FENCE**
DETAIL NO SCALE



- NOTES:**
1. DETAILS SHOWN ARE TO CLARIFY REQUIREMENTS AND ARE NOT INTENDED TO LIMIT OTHER TYPES OF FENCE SECTIONS AND METHODS OF INSTALLATION THAT COMPLY WITH THE SPECIFICATIONS.
 2. WIRE TIES, RAILS, POSTS, AND BRACES SHALL BE CONSTRUCTED ON THE SECURE SIDE OF THE FENCE ALIGNMENT. CHAIN-LINK FABRIC SHALL BE PLACED ON THE SIDE OPPOSITE THE SECURE AREA.
 3. UNLESS SPECIFICALLY SHOWN OR SPECIFIED, ALL FENCE SHALL HAVE AN APRON EXTENDED OUTWARD FROM THE AREA BEING PROTECTED.
 4. C-SECTION POSTS SHALL BE INSTALLED SO THAT THE VOID INSIDE THE POST IS COMPLETELY FILLED WITH CONCRETE UP TO THE TOP OF THE FOUNDATION.

- FENCE LEGEND:**
- TYPE FE5 - CHAIN-LINK FENCE WITHOUT BARBED-WIRE APRON
 - TYPE FE6 - CHAIN-LINK FENCE W/BARBED-WIRE ON SINGLE OUTRIGGER
 - TYPE FE7 - CHAIN-LINK FENCE W/BARBED-WIRE ON DOUBLE OUTRIGGER
 - TYPE FE8 - CHAIN-LINK FENCE W/BARBED-WIRE AND BARBED-TAPE ON DOUBLE OUTRIGGER
 - TR - FENCE WITH TOP RAIL AND TENSION WIRE AT BOTTOM
 - TBR - FENCE WITH TOP AND BOTTOM RAILS
 - TWB - TENSION WIRE TOP AND BOTTOM
 - TWR - FENCE WITH TOP TENSION WIRE AND BOTTOM RAIL
- FINAL NUMBER IS FABRIC WIDTH IN INCHES.

- EXAMPLES**
- FE6-TR-72 - CHAIN-LINK SECURITY FENCE WITH BARBED-WIRE ON SINGLE OUTRIGGER, TOP RAIL, AND 72 INCH FABRIC WIDTH.
 - FE5-TWB-84 - CHAIN-LINK SECURITY FENCE WITH NO APRON, TOP AND BOTTOM TENSION WIRE, AND 84 INCH FABRIC WIDTH.



NOTE:
PROVIDE BRACE PANEL WHENEVER STRAIGHT RUNS EXCEED 500 FEET.

① **GROUNDING**
DETAIL NO SCALE

\$\$ - THINK VALUE ENGINEERING - \$\$

Symbol	Revisions	Date	Approved
	Descriptions		
①	REV #0001 GENERAL REVISIONS	3/17/04	WE

U.S. ARMY ENGINEER DISTRICT
CORPS OF ENGINEERS
OMAHA, NEBRASKA

Designed by:	x	BASE NAME	STANDARD DETAILS FOR CHAIN-LINK SECURITY FENCES, FARM STYLE
Drawn by:	x	DESIGN	FENCES AND A DOUBLE CABLE
Checked by:	x	PROJECT	BARBER
Reviewed by:	x	DATE	10/17/04
Submitted by:	x	DRAWING CODE	FE6 CHAIN-LINK SECURITY FENCE DETAILS
Client:	x	PROJECT NO.	FOR NON-SENSORED FENCE

Plot Scale Ratio: 1:1 Date: 10/17/04
Design File: D:\FE6\FENCE.DWG
Spec. No.: DACA 45 Drawing Code: STD 872-90-03
Sheet Number: 03