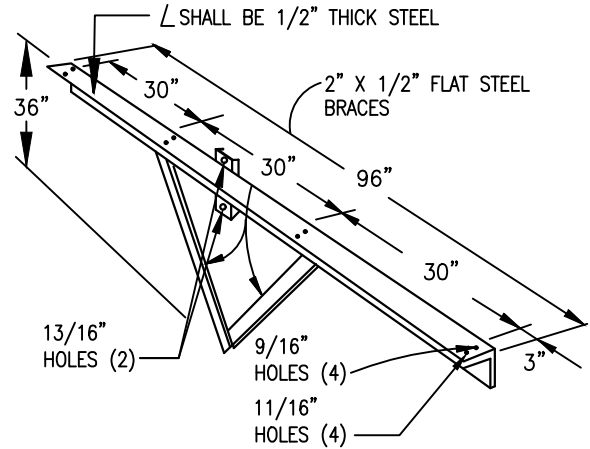
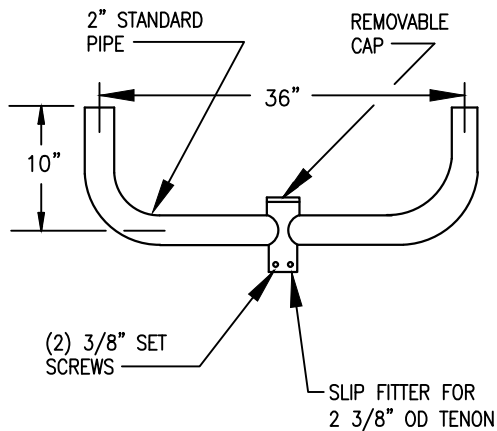


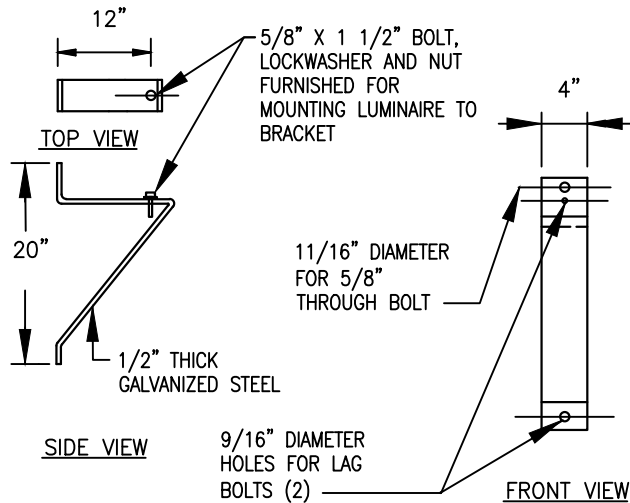
TWIN LUMINAIRE MOUNTING
BRACKET - "A"



QUAD LUMINAIRE MOUNTING
BRACKET - "B"



TWIN LUMINAIRE PIPE
MOUNTING BRACKET - "C"



STEEL ANGLE SINGLE LUMINAIRE
MOUNTING BRACKET FOR WALL OR POLE - "D"

NOTES: ALL MATERIAL SHOWN ON THIS SHEET SHALL BE HOT-DIP GALVANIZED.
PROVIDE BOLTS AND OTHER HARDWARE AS REQUIRED.

LUMINAIRE MOUNTING BRACKET DETAILS

REVISED:

NOVEMBER 2020

LUMINAIRE PLATE:

XL-25