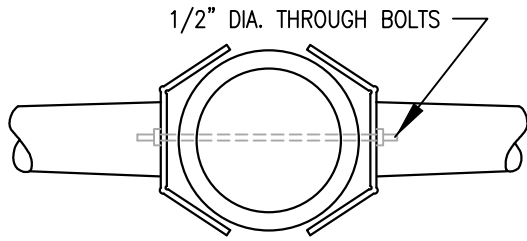
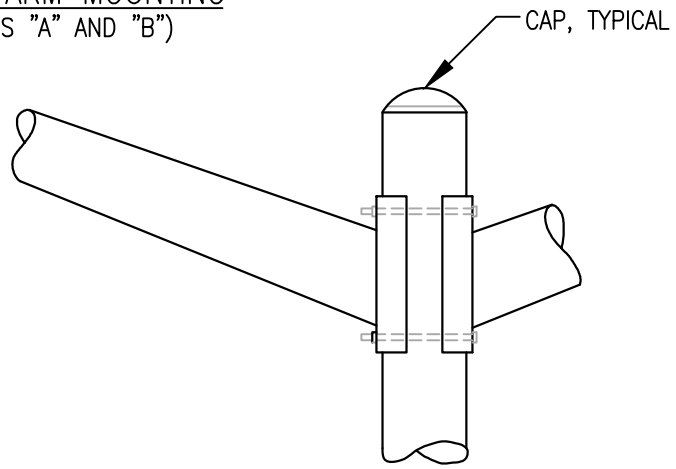


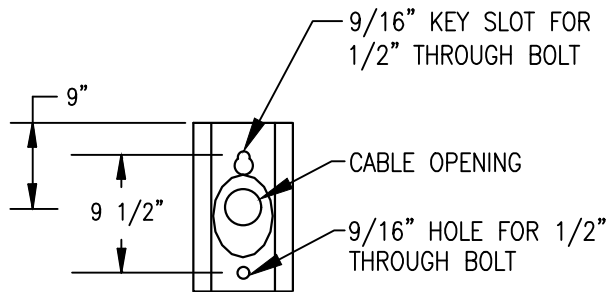
SINGLE ARM MOUNTING
(TYPES "A" AND "B")



PLAN VIEW



DOUBLE ARM MOUNTING
(TYPES "C" AND "D")



MOUNTING PLATE

MOUNTING ARM DIMENSIONS		
TYPE	"W"	"X"
XL-32, A	48"	15"
XL-32, B	72"	24"
XL-32, C	48"	15"
XL-32, D	72"	24"

NOTE: ALL MOUNTING HARDWARE FOR ARMS SHALL BE HOT-DIP GALVANIZED.

LUMINAIRE MOUNTING ARM DETAILS

REVISED:

NOVEMBER 2020

LUMINAIRE PLATE:

XL-24