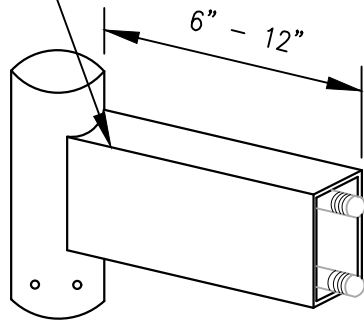
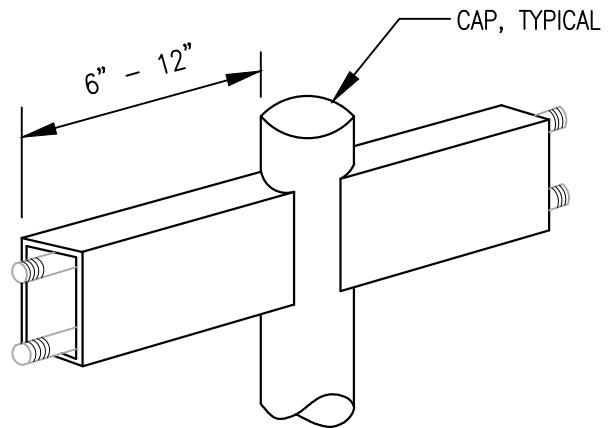


RECTANGULAR ALUMINUM
EXTRUSION, APPROXIMATELY
2 1/2" X 5"

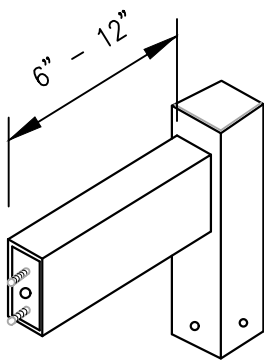


SINGLE ARM MOUNTING "A"
(TENON MOUNT SHOWN)



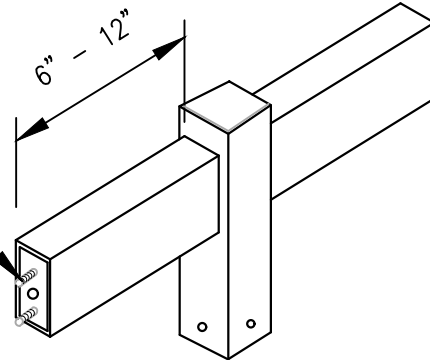
DOUBLE ARM MOUNTING "B"
(MAST ARM MOUNT SHOWN)

ROUND POLE APPLICATION



SINGLE ARM MOUNTING "C"
(TENON MOUNT SHOWN)

1/2" DIA. THREADED
RODS, TYPICAL



DOUBLE ARM MOUNTING "D"
(TENON MOUNT SHOWN)

SQUARE POLE APPLICATION

- NOTES:
1. ALL FASTENERS SHALL BE CONCEALED.
 2. ALL ARMS ARE AVAILABLE IN TENON OR MAST ARM MOUNTING; SPECIFY TYPE DESIRED.

LUMINAIRE MOUNTING ARM DETAILS

REVISED:

NOVEMBER 2020

LUMINAIRE PLATE:

XL-23